

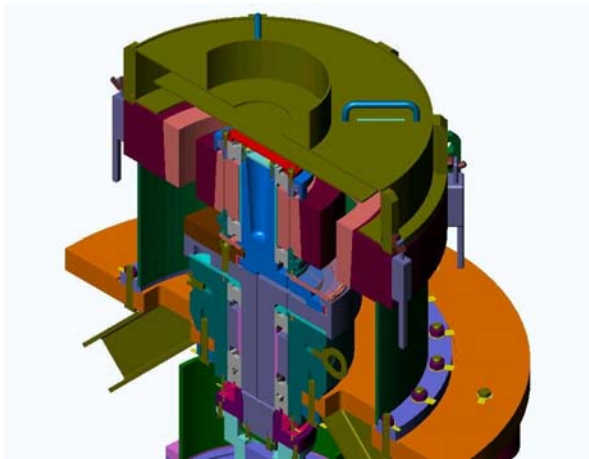
e-ring.ch

The e-ring.ch contains **engineering**-companies interdisciplinary cooperating for many years. The interfaces and professional competencies for overall projects - ranging from concept over design, calculations and mechanical to electrical engineering - are united at one single contact person.

S-ENGINEERING 

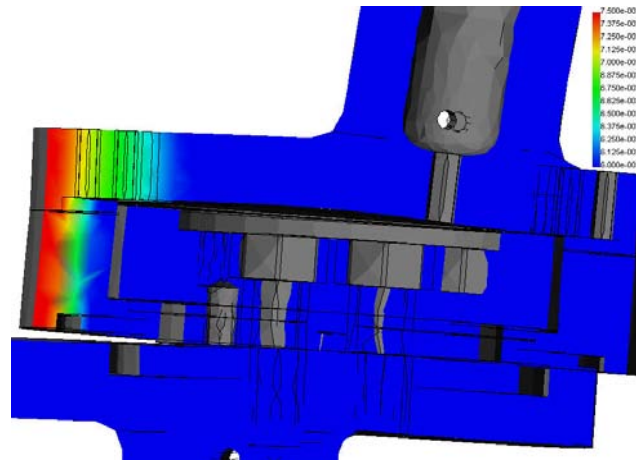
wyrsch technologies

REFERENZ 
Ihr Partner für Automation



Machine, Plant and Equipment Engineering, Automation, Materials Handling, Prototypes, Special Machines, Turnkey Installations, Mounting Management at home and abroad.

s-engineering brun
geissbüel 1
ch-6340 baar
phone: +41 41 743 16 50
fax: +41 41 743 16 51
skype: s-engineering
ejb@s-engineering.ch
www.s-engineering.ch



Mechanical Engineering, Calculation, Machine and Lightweight Design, Stress Analyses, Cablecar and Vehicle Technics, Energy and Environmental Technologies, Expertises.

wyrsch technologies
Hinkel 7
CH-6416 Steinerberg
phone: +41 41 850 51 91
fax: +41 41 850 51 04
skype: iso.wyrsch
iso.wyrsch@wyrschtech.ch
www.wyrschtech.ch



Projecting with CAD/CAE, SPS Programming and Visualisation, Complete Control Engineering with Control Cabinet and Wiring of the Plant, Commissioning, Training, Service.

REFERENZ Automation GmbH
Kirchbachstrasse 6a
CH-8600 Dübendorf
phone: +41 43 355 19 55
fax: +41 43 355 19 50
skype: referenz
referenz@referenz.ch
www.referenz.ch

e-ring.ch

The pictures show a small selection of projects realized in the e-ring.ch. You find out more about these projects when visiting the websites of the particular companies. Contact us and we will realize your visions. This portrait can be found on the internet at www.e-ring.ch

